

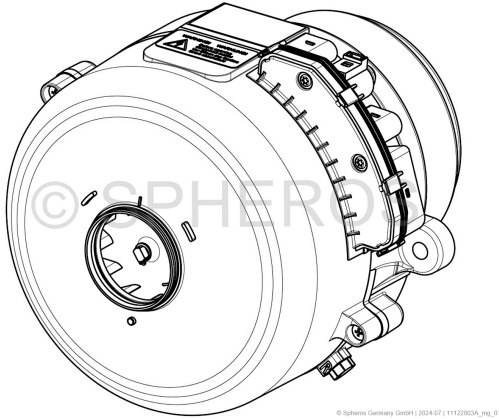
PRODUCT INFORMATION

burner Thermo plus 300 - SP

Id.No 11122003A

DOCUMENT FOR EXTERNAL USE

Date 02.04.2025



Info / Definition	Replacement burner for heater Thermo plus 300
Status	€ yes mg md
Product group ID	80005
Product group	Replacement blow pipe
Weight (gross)	6 KG
Usage/Code	NB01 Customs tariff No. 84161090 - Country of Origin: DE
ID number old	—
ID number new	—
Downloads	—