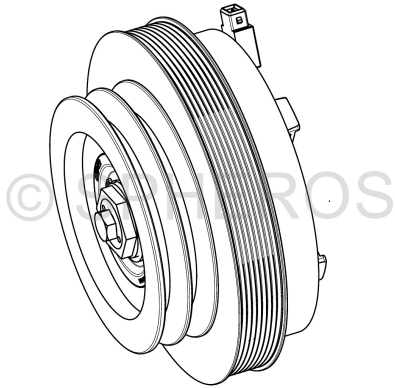


PRODUCT INFORMATION

magnetic clutch 2SPB dw165.5/8PK dw235.6 KK -
Id.No 11117609B

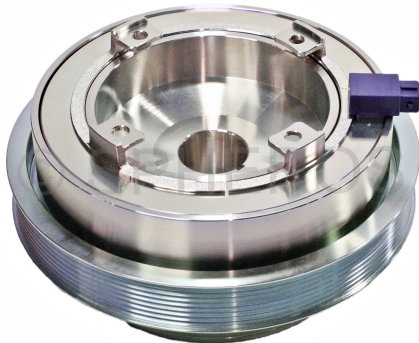
DOCUMENT FOR EXTERNAL USE
Date 10.03.2025



© Spheros Germany GmbH | 2024-07 | 11117609B_img_01



© Spheros Germany GmbH | 2024-07 | 11117609B_img_01



© Spheros Germany GmbH | 2024-07 | 11117609B_img_02

Info / Definition	magnetic coupling Profile 8k effective diameter 235.6 Profile 2x SPB effective diameter 165.5 Profile 2SPB dw165.5 8PK dw235.6
Status	€ yes mp mg md
Product group ID	40006
Product group	Clutches
Weight (gross)	16,4 KG
Usage/Code	NB01 Customs tariff No. 85052000 - Country of Origin: DE
ID number old	—
ID number new	—
Downloads	—