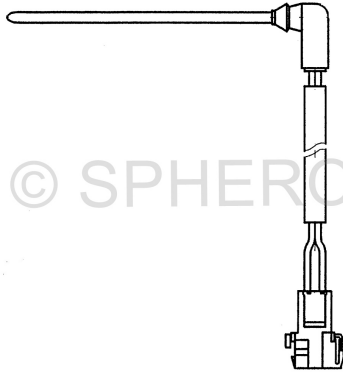


PRODUCT INFORMATION

temperature sensor ice -
Id.No 83186A

DOCUMENT FOR EXTERNAL USE
Date 28.02.2025



Info / Definition	—
Status	€ yes mp mg md
Product group ID	30005
Product group	Sensors
Weight (gross)	0,02 KG
Usage/Code	NB01 Customs tariff No. 85332900 - Country of Origin: DE
ID number old	—
ID number new	—
Downloads	—