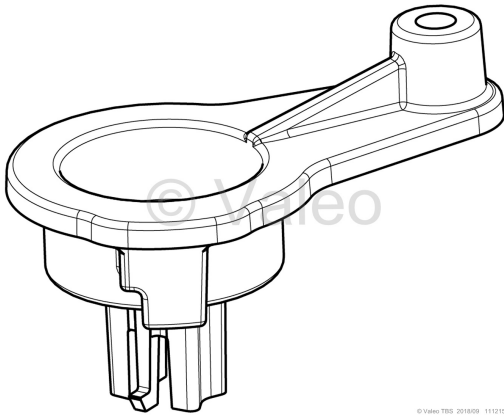


PRODUCT INFORMATION

eccentric flap unit basic -
Id.No 11121514A

DOCUMENT FOR EXTERNAL USE
Date 28.02.2025



© Valeo TRS 2018/09 | 11121514A_img_01



© Spheros Germany GmbH | 2018-09 | 11121514A_img_01



© Spheros Germany GmbH | 2018-09 | 11121514A_img_02

Info / Definition	Product info currently only available in German
Status	€ yes mp mg md
Product group ID	20005
Product group	Plastic parts
Weight (gross)	2,9 G
Usage/Code	NB01 Customs tariff No. 84831095 - Country of Origin: QU
ID number old	—
ID number new	—
Downloads	—