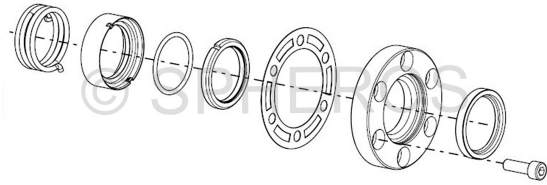


PRODUCT INFORMATION

mechanical seal FK40 FK50 - Kit
Id.No 68982B

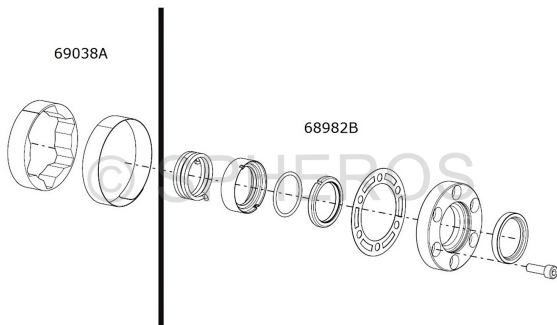
DOCUMENT FOR EXTERNAL USE
Date 27.02.2025



© Spheros Germany GmbH | 2016-07 | 68982B_img_01



© Spheros Germany GmbH | 2024-07 | 68982B_img_01



© Spheros Germany GmbH | 2016-07 | 68982B_img_02



© Spheros Germany GmbH | 2016-07 | 68982B_img_02

Info / Definition
Info Change in mechanical seal kit The FK40 and FK50 compressor series have been produced since 2005 with a bearing flange with integrated leakage oil collecting device and associated oil drain hose. Until 2005 a changeable felt insert was used. This felt insert is no longer included in the mechanical seal kit. If required, this can be ordered separately in the future under article number 69038A kit catch ring with felt inlay.

Status € yes | mp mg mv

Product group ID 50013

Product group Commodity

Weight (gross) 0,75 KG

Usage/Code NB01 Customs tariff No. 84842000 - Country of Origin: QU

ID number old —

ID number new —

Downloads —