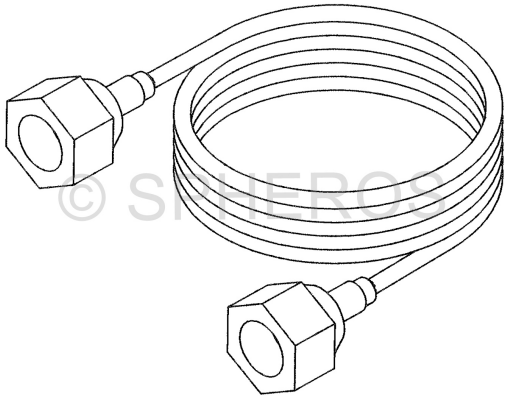


PRODUCT INFORMATION

connection capillary 1000 mm -
Id.No 47278A

DOCUMENT FOR EXTERNAL USE
Date 27.02.2025



© Spheros Germany GmbH | 2024-07 | 47278A_img_01



© Spheros Germany GmbH | 2016-04 | 47278A_img_01



© Spheros Germany GmbH | 2016-04 | 47278A_img_02



© Spheros Germany GmbH | 2016-04 | 47278A_img_01

Info / Definition	Capillary made of copper/ brass connection 2x 7/16" UNF length 1000 mm
Status	€ yes mp mg md mv
Product group ID	70005
Product group	Pipes copper
Weight (gross)	89 G
Usage/Code	NB01 Customs tariff No. 73079910 - Country of Origin: QU
ID number old	—
ID number new	—
Downloads	—