

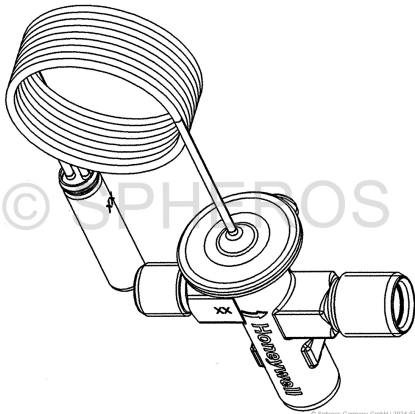
PRODUCT INFORMATION

expansion valve TOEX -

Id.No 1103579A

DOCUMENT FOR EXTERNAL USE

Date 27.02.2025



Info / Definition	Info: O-rings. 7.65x1.78. 10.6x1.78 (2ea) and 4.48x1.78 (R-134a resistant) also order
Status	€ yes mp mg md mv
Product group ID	40007
Product group	Expansion valves
Weight (gross)	0,373 KG
Usage/Code	NB01 Customs tariff No. 84159000 - Country of Origin: HU
ID number old	1103579A
ID number new	—
Downloads	—