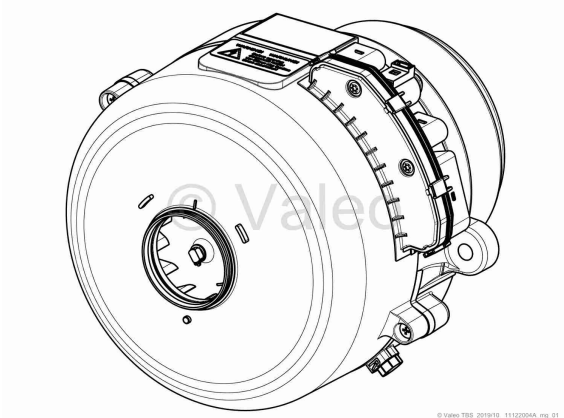


burner Thermo plus 300 with NPH - SP

ID number 11122004A



Product info	Info: nozzle block preheater (PSPH)
General info	€ yes mg md
Product group ID	80005
Product group	Replacement burner
Weight (gross)	3,3 KG
Usage/Code	NB01 Customs tariff No. 84161090 - Country of Origin: DE
ID number old	—
ID number new	—
Downloads	—