

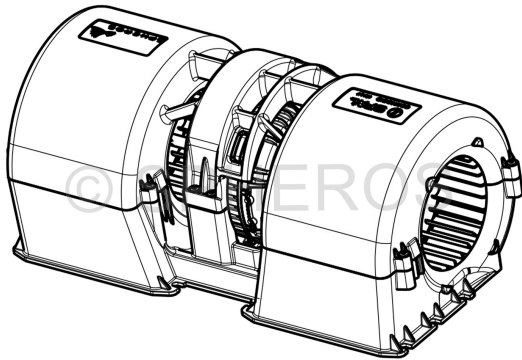
PRODUCT INFORMATION

Doppelradialgebläse -

Id.No 11116540A

DOCUMENT FOR EXTERNAL USE

Date 18.02.2025



© Spheros Germany GmbH | 2024-07 | 11116540A_img_01



© Spheros Germany GmbH | 2019-02 | 11116540A_img_01



© Spheros Germany GmbH | 2019-02 | 11116540A_img_02



© Spheros Germany GmbH | 2019-02 | 11116540A_img_01

Info / Definition	—
Status	mp mg md mv
Product group ID	30002
Product group	Gebläse
Weight (gross)	2,42 KG
Usage/Code	NB01 Customs tariff No. 84145995 - Country of Origin: QU
ID number old	—
ID number new	11116540B
Downloads	—