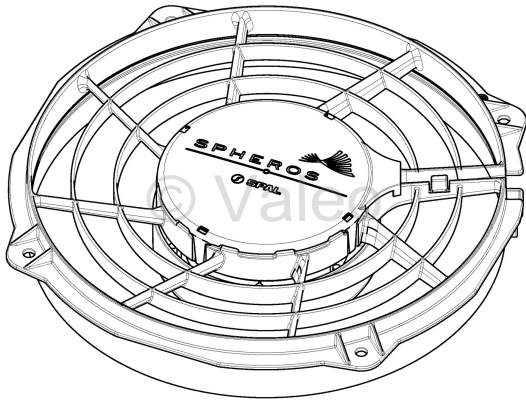


PRODUCT INFORMATION

Axialgebläse 24 V 300 mm -
Id.No 11123985A

DOCUMENT FOR EXTERNAL USE
Date 18.02.2025



Info / Definition	—
Status	mp mg md
Product group ID	30002
Product group	Gebläse
Weight (gross)	2,18 KG
Usage/Code	NB01 Customs tariff No. 84145925 - Country of Origin: QU
ID number old	11114902A
ID number new	11123985B
Downloads	—