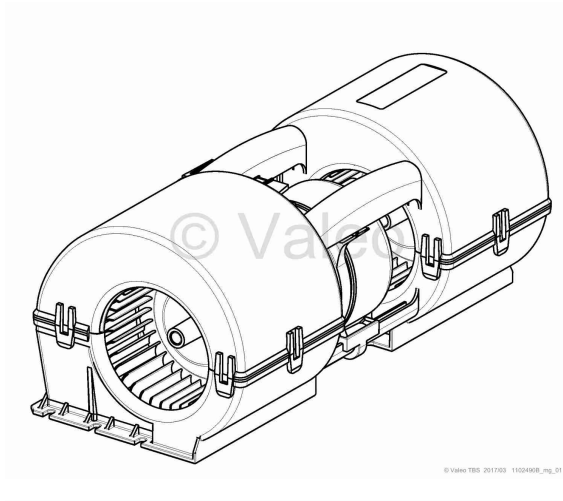


double radial blower EC - ID number 1102490B



Product info	Voltage 26 Volt, Voltage range 18-32Volt, Power consumption 310Watt, Current consumption 11,5 A, Air flow 1055 m³/h, Speed 3830U min, Noise level 68 dBA, Permissible ambient temperature range -40 to +85 °C
General info	€ yes mp mg mv
Product group ID	30002
Product group	Blowers
Weight (gross)	2,245 KG
Usage/Code	NB01 Customs tariff No. 84145995 - Country of Origin: QU
ID number old	1102490A
ID number new	11122715B
Downloads	—