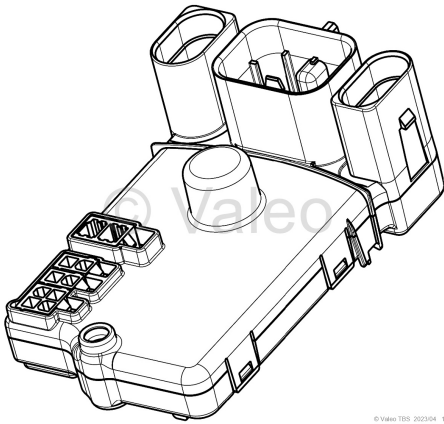


# PRODUCT INFORMATION

Steuergerät SG 1590 24 V -  
Id.No 11121235B

DOCUMENT FOR EXTERNAL USE  
Date 11.12.2024



Info / Definition	—
Status	mg md
Product group ID	30004
Product group	Steuergeräte
Weight (gross)	0,088 KG
Usage/Code	NB01 Customs tariff No. 85371091 - Country of Origin: QU
ID number old	11121235A
ID number new	11121235D
Downloads	—