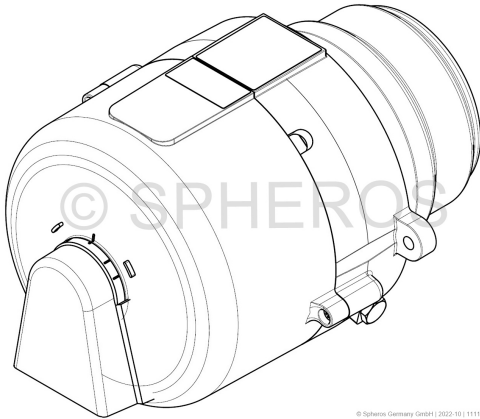


# PRODUCT INFORMATION

Brenner Thermo S 160.002 - ET  
Id.No 11115798B

DOCUMENT FOR EXTERNAL USE  
Date 11.12.2024



Info / Definition	ET Brenner Thermo S 160.002 Standard
Status	€ yes   mg
Product group ID	80005
Product group	Ersatzbrenner
Weight (gross)	5,2 KG
Usage/Code	NB01 Customs tariff No. 84161090 - Country of Origin: DE
ID number old	—
ID number new	—
Downloads	—