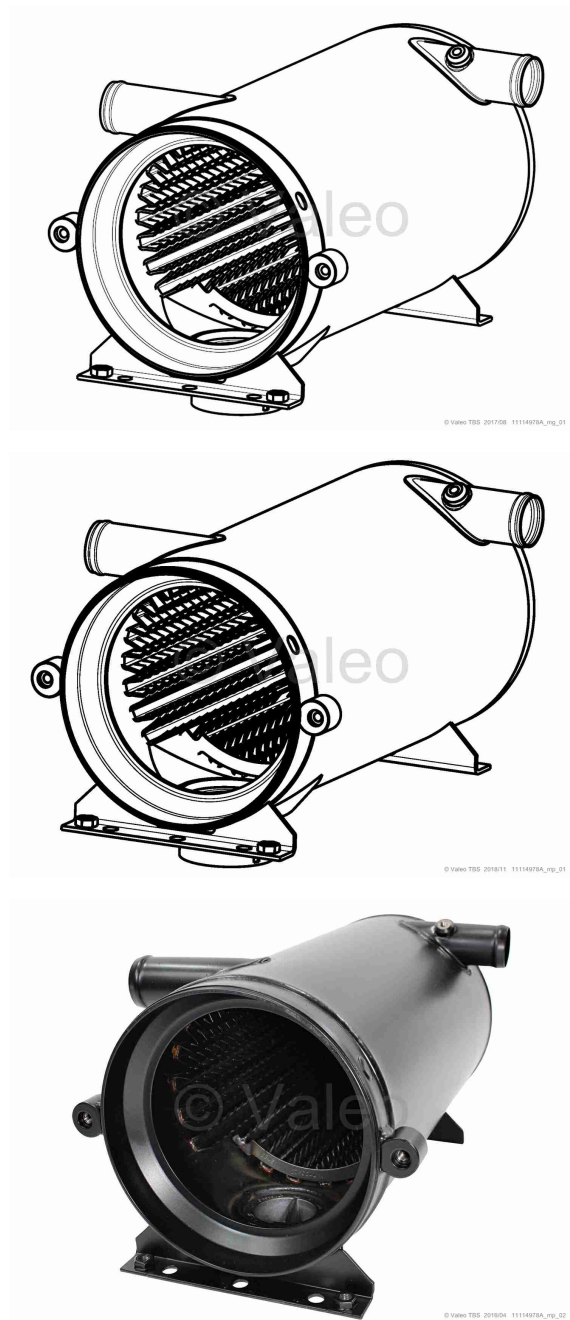


heat exchanger E 22-M8-ASB1-CV-BU-BL -

ID number 11114978A



Product info	—
General info	€ no mp mg
Product group ID	10010
Product group	Steel plates
Weight (gross)	10,85 KG
Usage/Code	NB01 Customs tariff No. 84159000 - Country of Origin: DE
ID number old	—
ID number new	—
Downloads	—