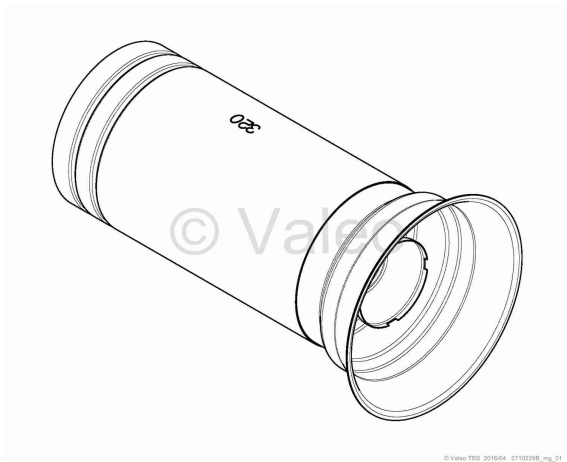


combustion chamber 35 kW -
ID number 2710229B



| | |
|------------------|--|
| Product info | L350mm front ø192,5 mm rear ø142 mm |
| General info | € yes mp mg |
| Product group ID | 80007 |
| Product group | Combustion chambers |
| Weight (gross) | 2,4 KG |
| Usage/Code | NB01 Customs tariff No. 84169000 - Country of Origin: DE |
| ID number old | — |
| ID number new | — |
| Downloads | — |